

READ ME !

Thank you for purchasing a Front Runner Roof Rack Accessory Mounting Bracket – Small.

Before you start, take a moment to familiarize yourself with the Fitting Instructions and the components received.

Refer to Page 2 for a list of all the components, quantities and tools required.

IMPORTANT WARNING!

IT IS CRITICAL THAT ALL FRONT RUNNER PRODUCTS BE PROPERLY AND SECURELY ASSEMBLED AND ATTACHED TO YOUR VEHICLE. IMPROPER ATTACHMENT COULD RESULT IN AN AUTOMOBILE ACCIDENT, AND COULD CAUSE SERIOUS BODILY INJURY OR DEATH. YOU ARE RESPONSIBLE FOR ASSEMBLING AND SECURING ALL FRONT RUNNER PRODUCTS TO YOUR VEHICLE, CHECKING THE ATTACHMENTS PRIOR TO USE, AND PERIODICALLY INSPECTING THE PRODUCTS FOR ADJUSTMENT, WEAR AND DAMAGE. THEREFORE, YOU MUST READ AND UNDERSTAND ALL OF THE INSTRUCTIONS AND PRECAUTIONS SUPPLIED WITH YOUR FRONT RUNNER PRODUCT PRIOR TO INSTALLATION OR USE. IF YOU DO NOT UNDERSTAND ALL OF THE INSTRUCTIONS AND CAUTIONS, OR IF YOU HAVE NO MECHANICAL EXPERIENCE AND ARE NOT THOROUGHLY FAMILIAR WITH THE INSTALLATION PROCEDURES, YOU SHOULD HAVE THE PRODUCT INSTALLED BY A PROFESSIONAL INSTALLER OR OTHER QUALIFIED PERSONNEL.

NOTE: Front Runner will not be responsible for any damage caused by the failure to install the product according to these instructions.

Please call us if you have any questions about the installation of this product.

1

GET ORGANIZED

IN THE BOX

1	2 X	Mounting Bracket
2	4 X	T-Bolt M8 x 20
3	6 X	M8 Nyloc Nut
4	4 X	M8 Nut Caps
5	6 X	M8 x 20 Button Head Bolt

TOOLS NEEDED

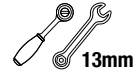
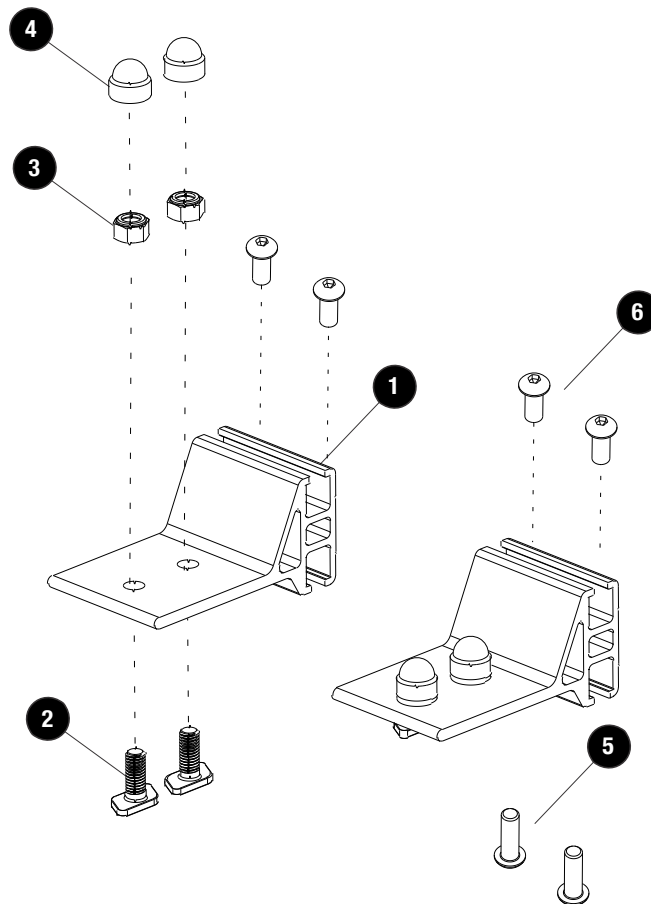
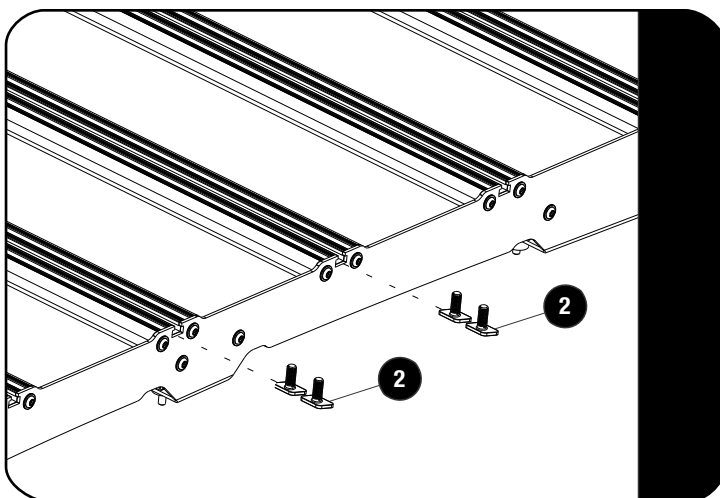


FIGURE 1.1



2**FIT AND SECURE**

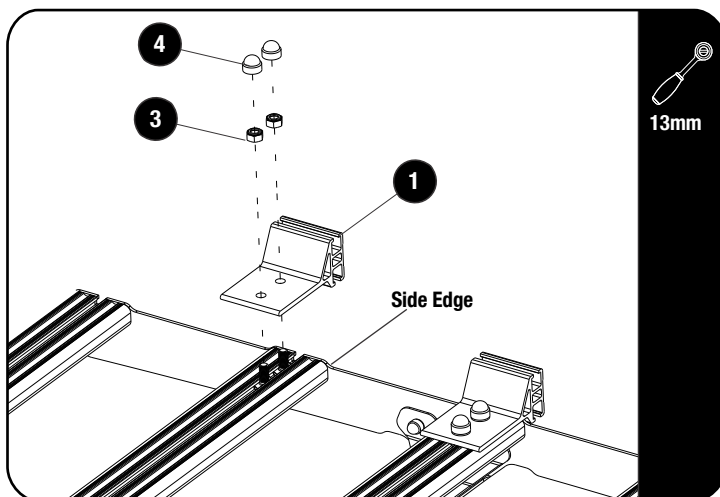
2.1



⌚ Decide which slats would be best suited for mounting your roof rack accessory.

Slide two M8x20 T-Bolts (Item 2) into each slat as shown.

2.2

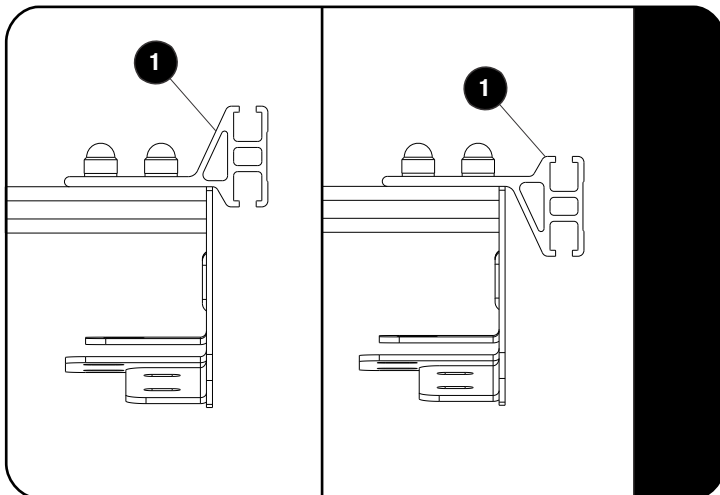


⌚ Loosely assemble the Mounting Brackets (Item 1) onto the slats using four M8 Nyloc Nuts (Items 3) as shown.

Push the Mounting Brackets up to the side edge of the of the rack. Fully tighten.

Finish off by placing four M8 Nut Caps (Item 4) over the M8 Nyloc Nuts (Item 3).

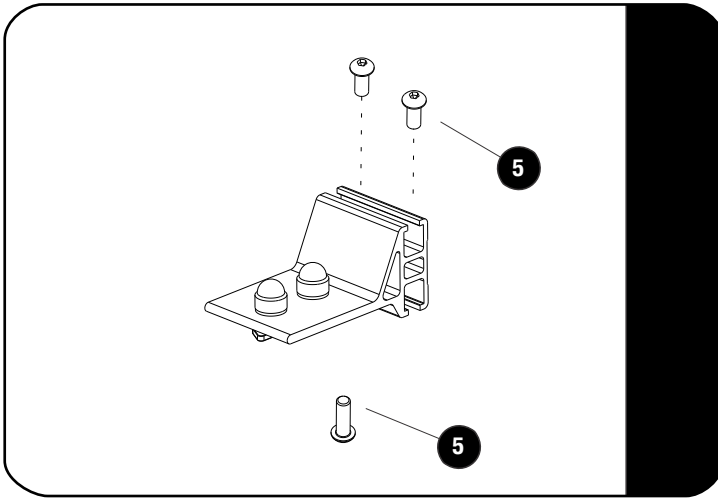
2.3



⌚ The Mounting Brackets (Item 1) orientation is roof rack accessory dependant.

2 FIT AND SECURE ACCESSORIES

3.1



For some accessories you may need to use the M8 x 20 Button Head Bolts (Item 5) that are supplied.

3 FINISH

Congratulations! You did it. Take a step back and admire your work!

4 INSTALL OTHER VEHICLE AND RACK ACCESSORIES

Now's the time to visit your favorite Front Runner Dealer in person or online.

Be sure to tag us. We love to see our gear in action! #FrontRunnerOutfitters #BornToRoam

Share your adventures on: 